



Building Sustainable Innovation

A FULL RANGE OF INNOVATIVE SOLUTIONS

THE REFERENCE PARTNER
FOR TELECOM SITE SOLUTIONS





BUSINESS CASE

BACKGROUND

The customer, a key European player, acquired thousands of sites in a short timeframe.

NEED

The structural conditions of every site had to be verified for early detection of potential critical situations in structural resistance by deploying a solution which is:

- Configurable
- Easy to install

DEMAND

Design and implement a system monitoring the structural efficiency of all sites to

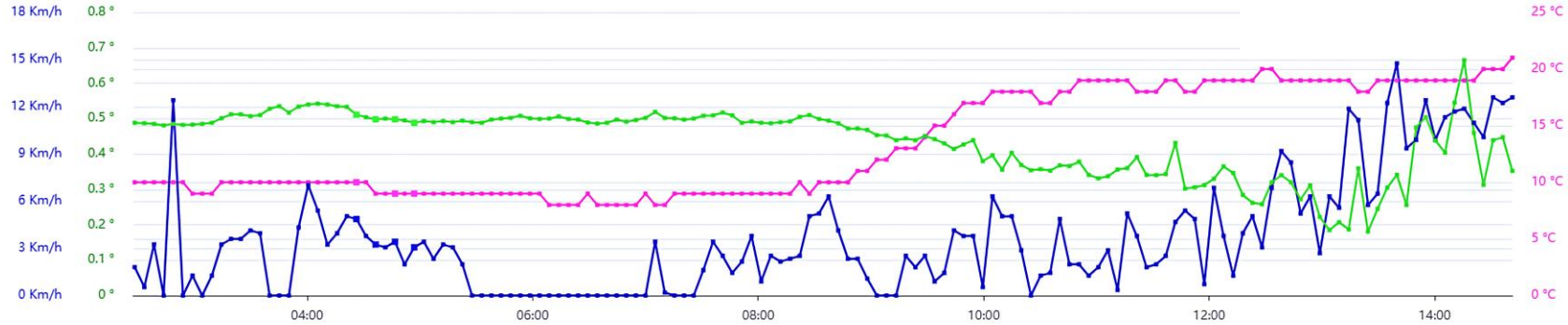
- Optimize the cost of the overall maintenance
- Reduce the insurance cost
- Reduce the risk related to CAPEX



OUR SOLUTION – STRUCTURAL SENSOR

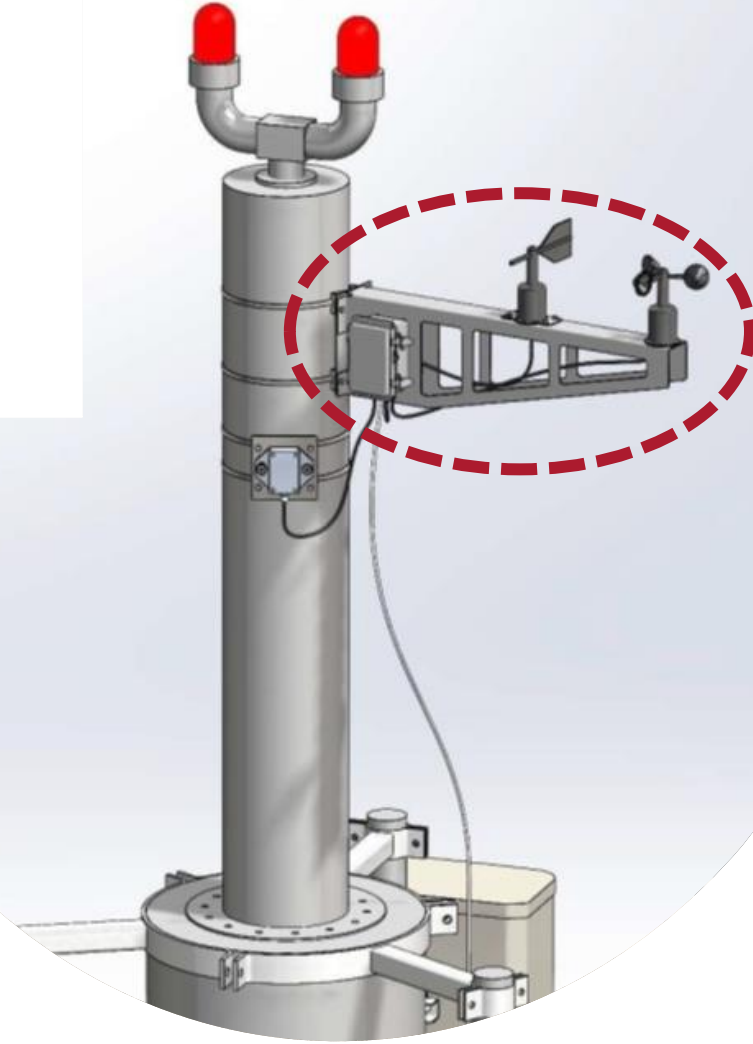
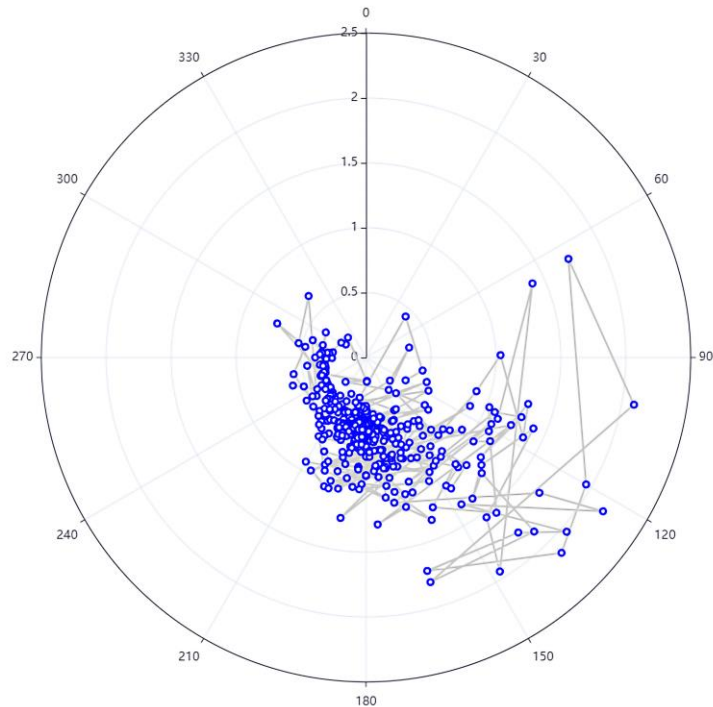
Site ID : IT-PG-000513

Temp Average V Wind Max Inclination Max



Polar - Site ID : IT-PG-000513

Inclination Max

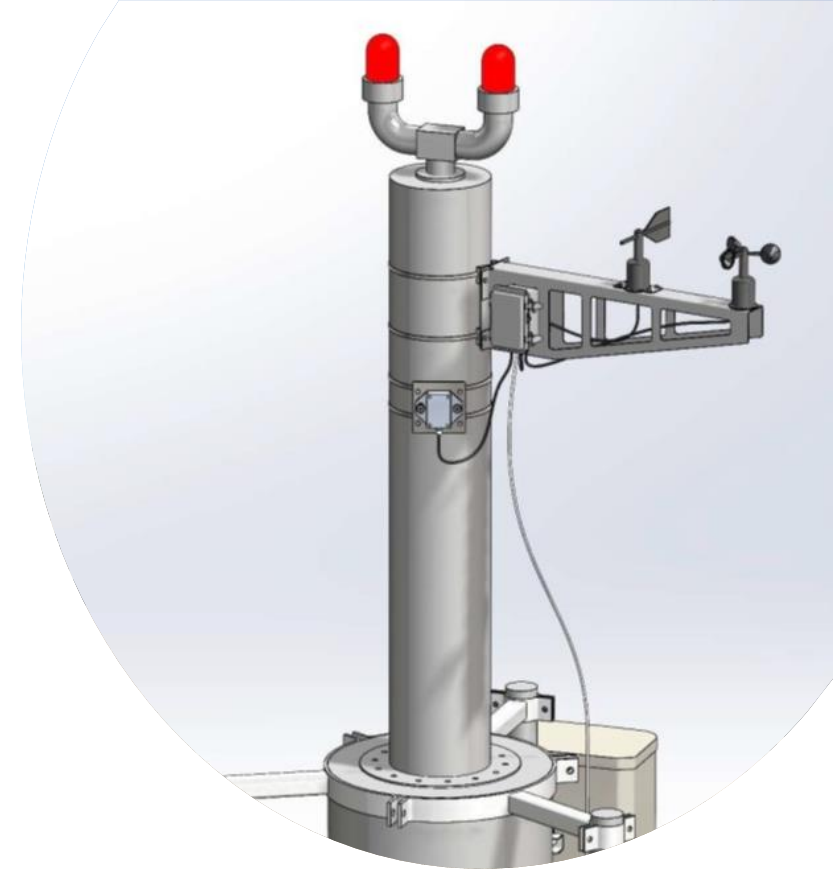




CONFIGURABLE, EASY TO INSTALL

- **Fixable** to every structure
- **Adaptable** to every transmission protocol
- **Open IoT platform** for any kind of additional sensors
- **Profiled access to FIMO dashboard** and data transfer to proprietary dashboard at the same time
- Choice of **temporal scan acquisition** and **control limit threshold**

- The sensor must be **installed by a team of installers**
- **Easy to use installation instructions** are delivered with the kit
- Total estimated **time to be on air: 3 hours**



- ✓ **Mounting**
- ✓ **Calibration**
- ✓ **Connection**



FIMO Group | Headquarters

Via Belvedere 11
20861 Brugherio (MB)
ITALY

FIMO Components

Via Belvedere 11
20861 Brugherio (MB)
ITALY

FIMO Solutions

Via Campobello
34/A, Pomezia (RM)
ITALY

FIMO Tower

Route de Villepecle, Espace Green Park, Bât. B
91280 Saint-Pierre-du-Perray
FRANCE

FIMO Rooftop

468, rue Grange Morin
69400 Arnas
FRANCE

FIMO India

H.No. 207 Gali No. 8, Block-F
Badarpur South Delhi DL 110044
INDIA



THANK YOU

FIMO USA

1211 Keisler Road SE
Conover, NC 28613
USA

WANHO

154 Knotter Drive
Cheshire, CT 06410
USA



WWW.FIMOWORLD.COM

